

**EXTRA HEAVY DUTY  
JAW CRUSHERS**



MOD.

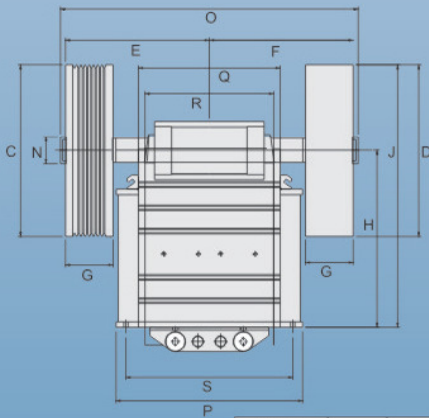
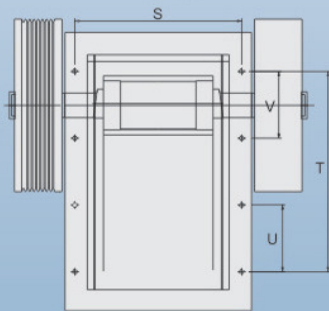
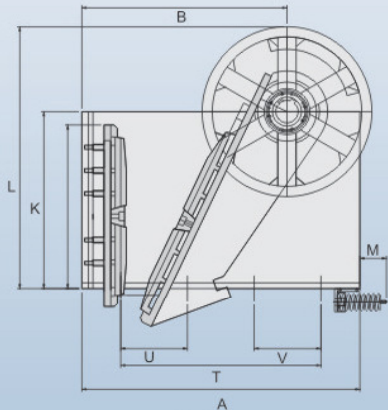
**SECONDARY  
JAW CRUSHERS**



# SECONDARY JAW CRUSHERS (SJC)



An ISO 9001 Company



SIZE		A	B	C	D	E	F	G	H	J	K	L	M	N	O	P	Q	R	S	T
14" x 8"	INCHES	44	28	23	23	20	20	5	29	41	29	41	--	89 MM	43	28	18	16	24	26
16" x 10"	INCHES	54	29	35	34	24	24	6	31	48	31	48	10	102 MM	43	36	21	19	32	29
20" x 10"	INCHES	60	28	29	29	26	26	6	38	57	38	57	11	134 MM	55	36	26	23	32	32
24" x 8"	INCHES	56	32	37	37	28	28	6	37	55	37	56	10	133 MM	60	40	30	27	36	32
36" x 9"	INCHES	60	38	41	41	38	38	9	40	60	40	60	10	148 MM	77	56	42	39	48	32
42" x 9"	INCHES	66	40	41	41	44	44	9	40	62	42	62	10	150 MM	83	62	45	45	54	20

**APPLICATION :**

**MARSMAN®** Secondary Jaw Crushers are ideally suited for crushing of hard granite stone, black trap rock, river gravel, lime stone, coal, iron ore, etc.

**BODY :** The body is made from tested M.S.Plates. It is fabricated with horizontal and vertical ribs for strength and sturdiness, the body is annealed & stress relieved by heat treatment process to reduce the chance of the body getting cracked.

**SWINGING LEVER :** The swinging lever (pitman) is fabricated out of M.S.Plates with high tensile strength and it is annealed by heat treatment process and then it is precision machined for smooth crushing stroke.

**TOGGLE PLATES & TOGGLE BEARINGS :** For equal balance and load distribution the crank shaft is centrally fitted on cast steel toggle bearings. The cast steel toggle bearings withstand excessive wear & tear and convey correct crushing stroke.

**JAW PLATES & SIDE PLATES :** The jaw plates are made of high tensile manganese steel. Specially designed teeth of Jaw plates are suitable to produce cubical shape material as per required output sizes. One jaw is fixed and the other jaw is fitted on swinging lever. The side plates are of close fitting type which prevent any wear to the body, which is made out of high grade manganese steel.

**CRANK SHAFT & BEARING :** The crank shaft is made of forged steel and fitted in heavy duty spherical double roller bearings which ensures smooth operation. The bearings are fitted on both sides of the crank shaft and two in swinging lever, which are well sealed against possible entry of dust and moisture by labyrinth seals. For lubrication grease nipples are fitted at appropriate places.

**FLYWHEELS :** Heavy duty cast iron flywheels are fitted on both the ends of crank shaft. These flywheels are machined all over, counter weight fitted and balanced to ensure steady crushing force.

**WARRANTY :** MARSMAN Jaw Crushers are warranted for ONE YEAR against manufacturing defects. However, the warranty does not cover breakdowns under normal wear & tear or due to misuse / mistake made by operator.

JAW CRUSHER SIZES	AVERAGE CAPACITY IN TONS/HR. WITH JAW SETTING (CLOSED SETTINGS)	MOTOR HP	M/C RPM	APPROX. WEIGHT OF M/c Kgs.					
					1/2"	3/4"	1"	1 1/2"	2"
INCHES	MM	12	20	25	38	50			
14" x 8"	355 x 200 mm	3	4	5	6	--	15	325	2500
16" x 10"	405 x 255 mm	7	11	13	15	20	25	300	3300
20" x 10"	505 x 255 mm	15	18	20	25	32	30	300	5000
24" x 8"	610 x 200 mm	17	20	22	27	30	30	300	5000
36" x 9"	915 x 225 mm	15	24	29	33	40	40	280	7400
42" x 9"	1050 x 225 mm	20	30	35	40	50	50	280	9500

**Note :**

- (a) The output in tons indicated above is based on average hard dry quartz weighing at least 1.6 tons/m<sup>3</sup> when crushed and on continuous feed of graded sizes with fines removed.
- (b) Capacities may vary by 25% depending on type of rock, gradation and method of feeding.
- (c) Where no capacity rating is given in the table, it is generally not economical to operate at such a setting.

**MANUFACTURED BY:**



**Head Office :**

N-16, M.I.D.C. Indl. Area, Ambad, Nashik - 422 010. (M.S.) INDIA  
 Tel. : +91-253-2382940. Fax : +91-253-2380272.  
 E-Mail : sales@marsmanltd.net, info@marsmanltd.net

Website : www.marsmanltd.net

**Works:**

**Unit I :** Gat. No. 581/582, At Post Janori, 10th Mile, Ozar, Mumbai-Agra Road, Nashik - 422 206. (M.S.) INDIA.  
 Tel. : +91-2557-275210.

**Unit II :** Plot No. 712, G.I.D.C. Savli, Manjisar Dist. Baroda-319 775. (Gujrat) INDIA